



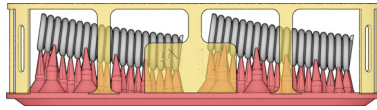
MOUNTY MODELS

TRACK SPRINGS STALINETZ AND SIXTY

DETAIL SET FOR THUNDER MODELS 35006 AND 35400

MM035001_13

REMOVE THE RED
AND YELLOW AREA

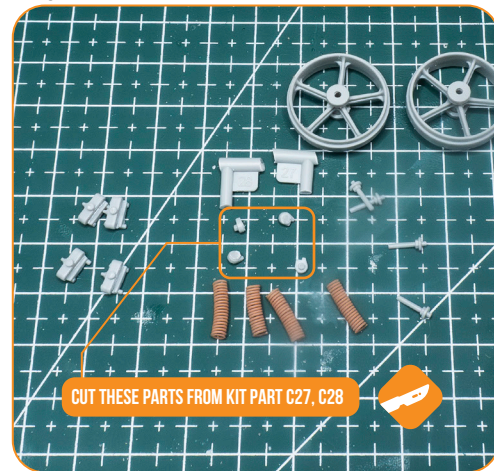


NO. 13(+2 SPARE PART)

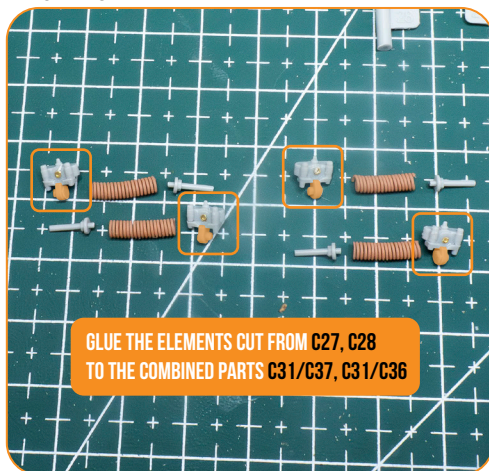
STEP 1.



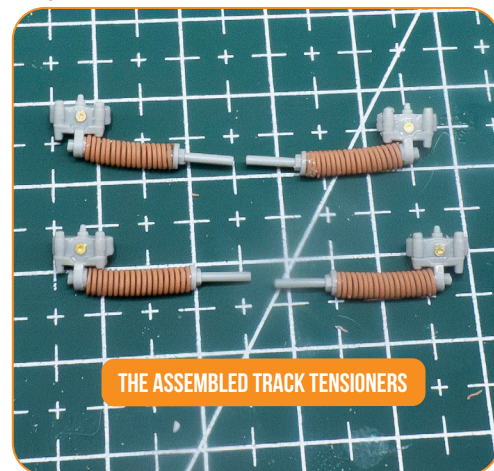
STEP 2.



STEP 3.



STEP 4.



FINAL RESULT

